

■ Replacing the Drum Cartridges

This section describes how to replace the drum cartridges.

You need to replace all drum cartridges (yellow, magenta, cyan, and black) at a time.

IMPORTANT:

- Protect the drums of the drum cartridges against bright light. If the side cover remains open for more than 3 minutes, print quality may deteriorate.

This section includes:

- ["Removing the Drum Cartridges" on page 437](#)
- ["Installing the Drum Cartridges" on page 439](#)

Overview

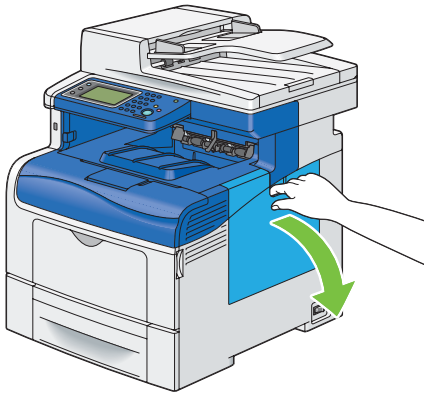
The printer has drum cartridges of four colors: black (K), yellow (Y), magenta (M), and cyan (C).

When a drum cartridge reaches its usable life-span, the following messages appear on the LCD panel.

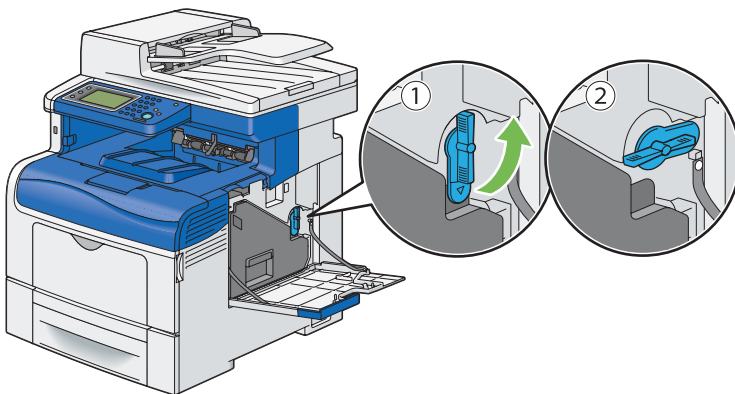
Message	Remaining Page Yield	Printer Status and Action
Order Drum Cartridge Kit	12,000 pages	The drum cartridge is near the end of its life. Prepare a new one.
Drum Cartridge Life Over	-	The drum cartridge has reached the end of its life. Replace the old drum cartridge with a new one.
Open the Right Side Door. Then, replace the Drum Cartridge Kit.		

Removing the Drum Cartridges

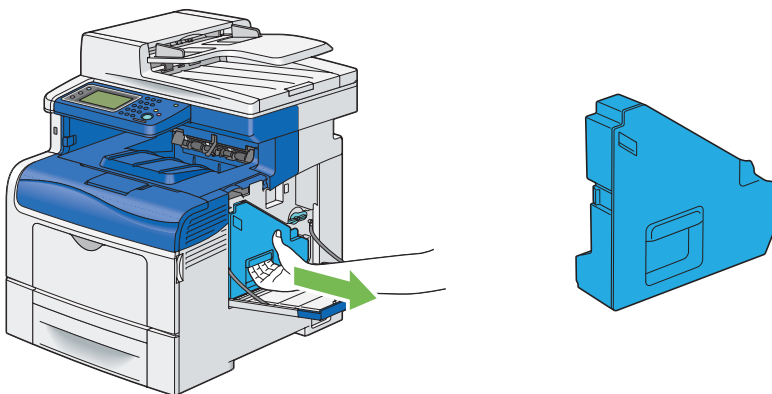
- 1 Open the side cover.



- 2 Turn the waste toner box lock lever 90-degrees counterclockwise to unlock the waste toner box.

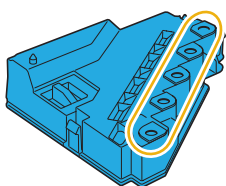


- 3 Grasp the handle on the waste toner box and pull it out making sure to hold it upright so that the waste toner does not spill out.

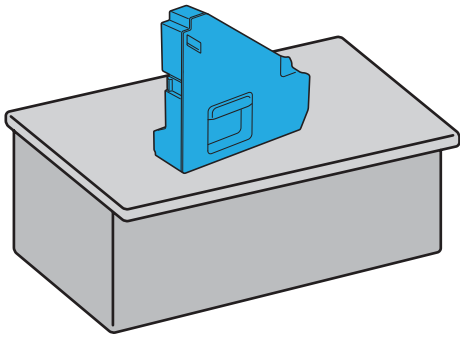


NOTE:

- Take care not to drop the waste toner box while you are removing it.
- After removing the waste toner box, do not touch the parts shown in the illustration. Toner can dirty or stain your hands.

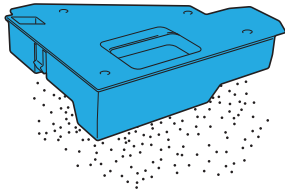


- 4 Place the removed waste toner box on a level surface.

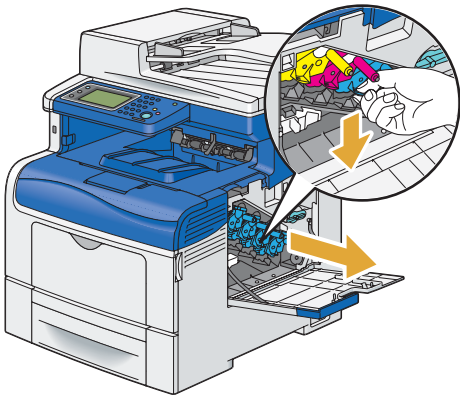


IMPORTANT:

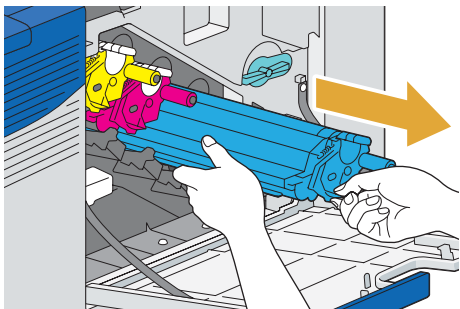
- Never lay the waste toner box on its side as this may cause its malfunction or toner spills.



- 5 Slightly pressing down the tab on the drum cartridge that you want to replace, pull it out halfway with one hand.



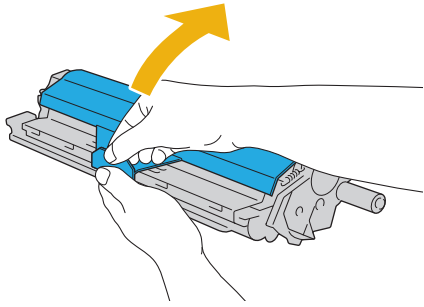
- 6 Support the drum cartridge with the other hand from underneath, and then pull it out completely.



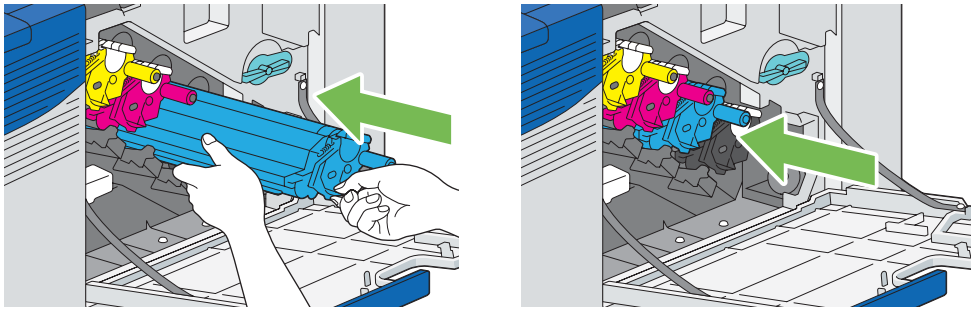
- 7 Repeat the steps 5 and 6 to remove the other three cartridges.

Installing the Drum Cartridges

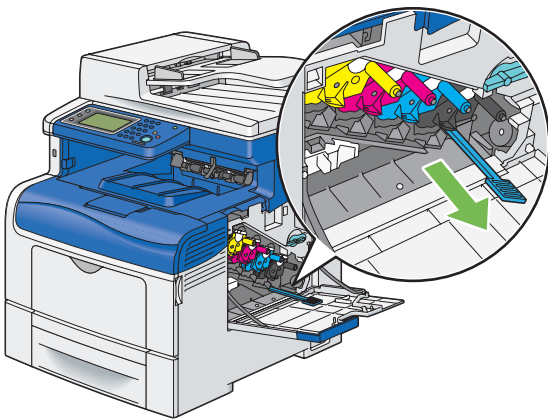
- 1 Unpack a new drum cartridge of the desired color.
- 2 Remove the orange protective cover from the drum cartridge.



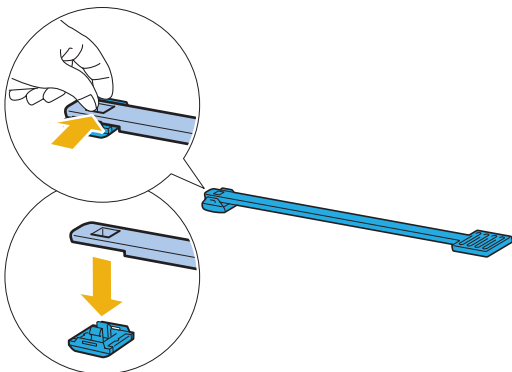
- 3 Insert the drum cartridge into the associated cartridge slot, and then push until it stops.



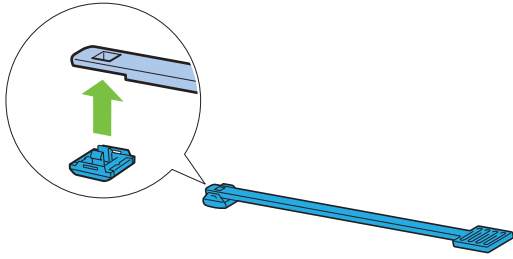
- 4 Repeat the steps 1 to 3 to insert the other three cartridges.
- 5 Remove the cleaning rod from inside the printer.



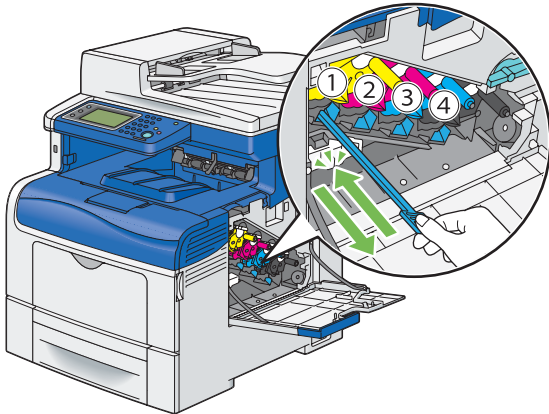
- 6 Remove the cleaning pad by pressing the white tabs between your thumb and index finger.



- 7 Unpack a new cleaning pad.
- 8 Attach the new cleaning pad to the cleaning rod.

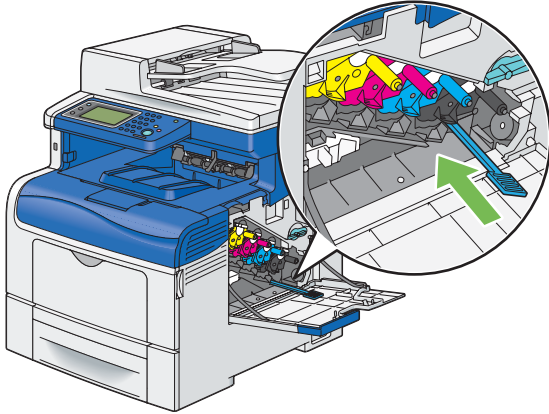


- 9 Insert the cleaning rod fully into one of the four holes until it clicks into the interior of the printer as illustrated below, and then pull it out.

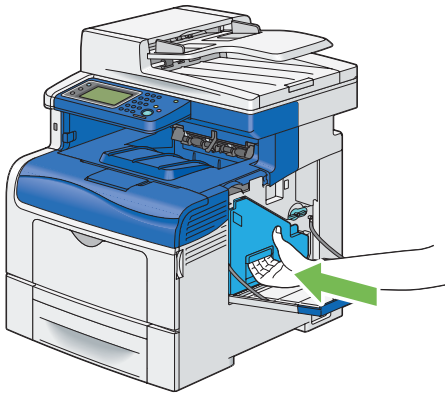


- 10 Repeat step 9 also on the other three holes. One time insertion is enough for each hole.

- 11 Return the cleaning rod to its original location.



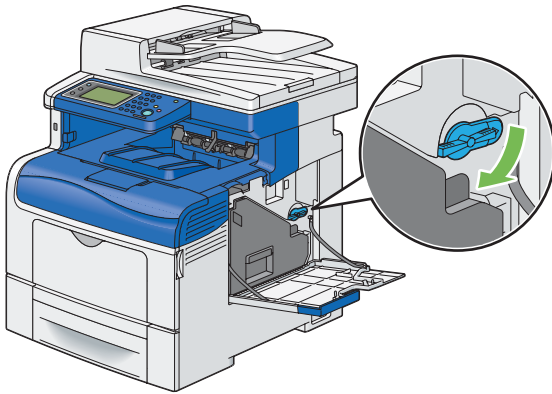
12 Reinsert the removed waste toner box.



NOTE:

- If the waste toner box does not fit into place properly, make sure that the drum cartridges are fully inserted in the previous steps.

13 Turn the waste toner box lock lever 90-degrees clockwise to lock the waste toner box.



14 Close the side cover.

