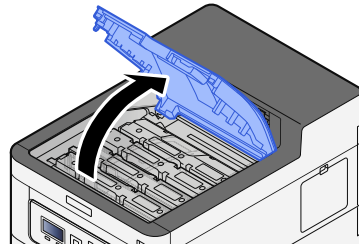


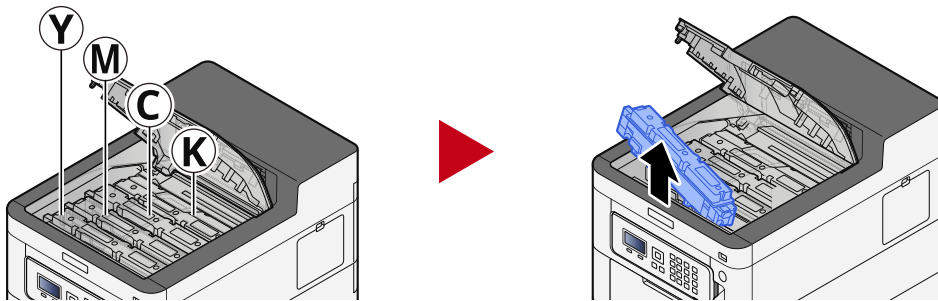
# Installing PA3500cx, PA4000cx, PA4500cx toner cartridges

Installation procedures of the toner container is same for every color. Here, we'll explain the procedures for the yellow toner container, as an example.

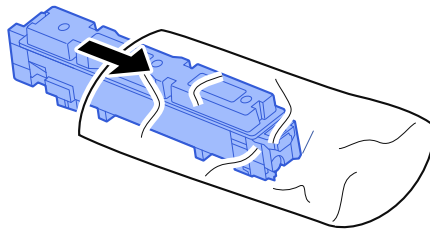
## 1 Open the top cover.



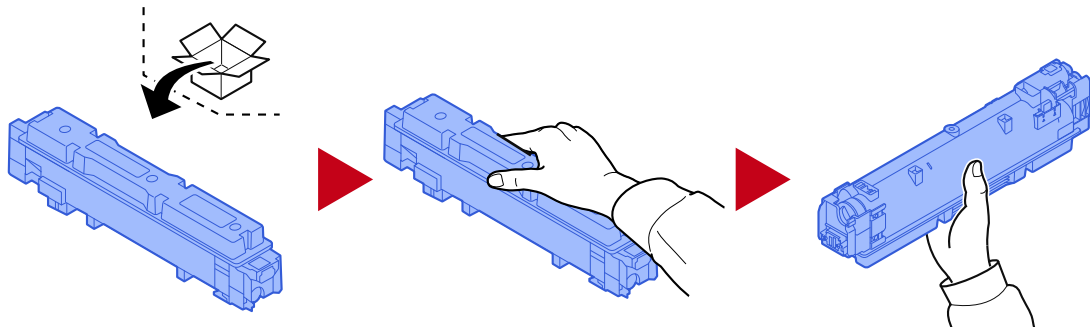
## 2 Remove the toner container.



## 3 Put used toner container into the plastic waste bag.

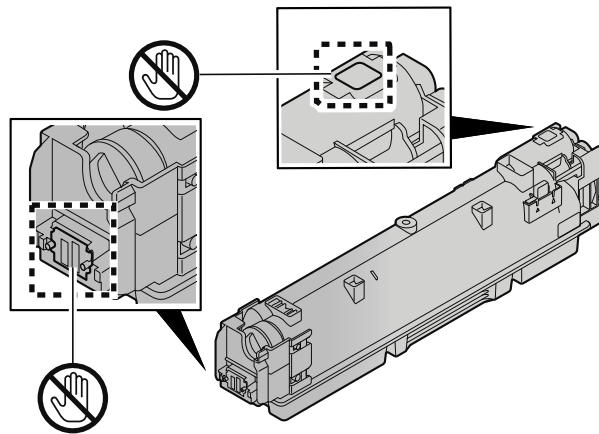


#### 4 Remove the new toner container from the box.

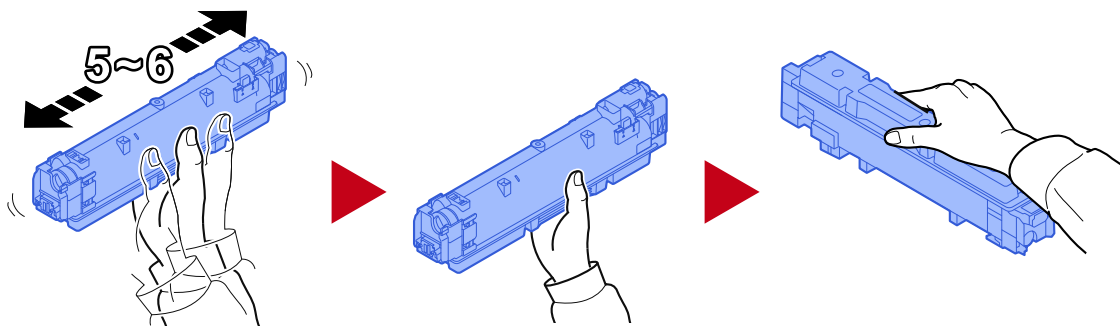


✔ **IMPORTANT**

Do not touch the points shown below.

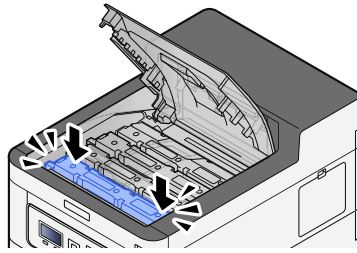


#### 5 Shake the toner container.



---

## 6 Install the toner container.



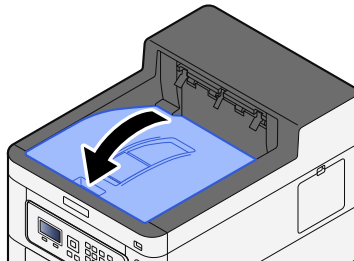
---

### IMPORTANT

Insert the toner container all the way.

---

## 7 Close the front cover.



---

### NOTE

- If the toner container cover or front cover does not close, check that the new toner container is installed correctly.
  - Return the exhausted toner container to your dealer or service representative. The collected toner container will be recycled or disposed in accordance with the relevant regulations.
-

---

# Replacing the Waste Toner Box

When the waste toner box is full, the following message will be displayed.

"Waste Toner Box is full or placed improperly."

---

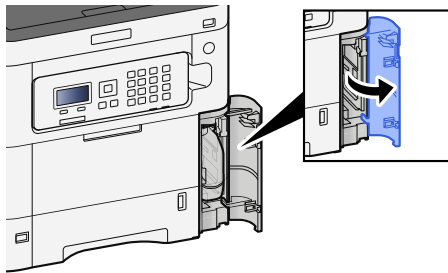


## CAUTION

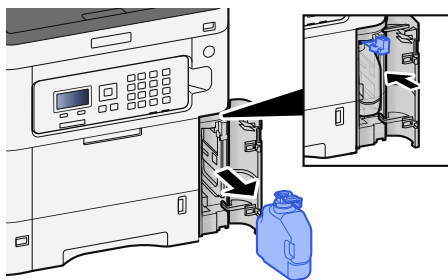
Do not attempt to incinerate parts which contain toner. Dangerous sparks may cause burns.

---

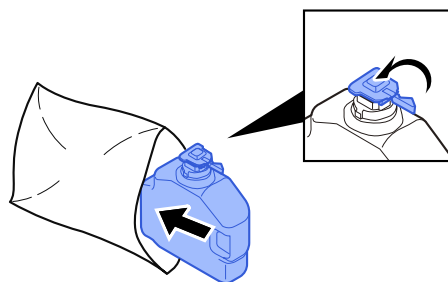
### 1 Open the Waste Toner Cover



### 2 Remove the Waste Toner Box.

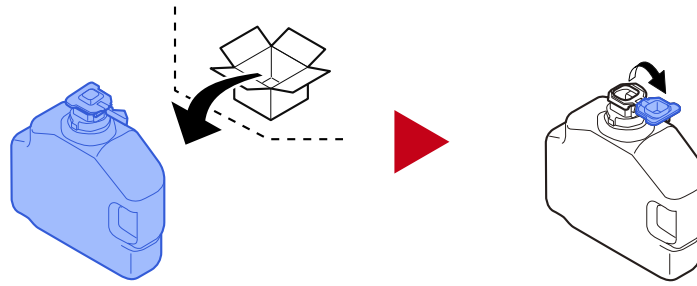


### 3 Put used Waste Toner Box into the plastic waste bag.

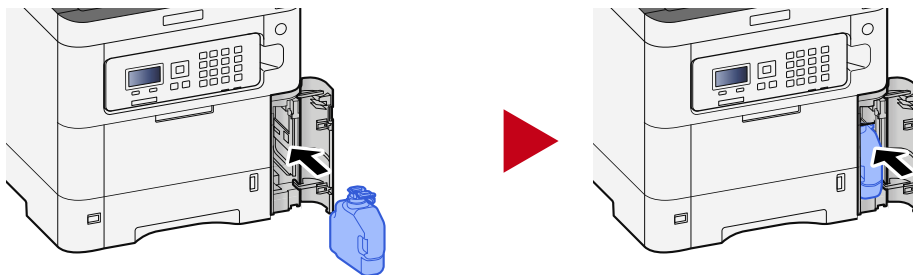


---

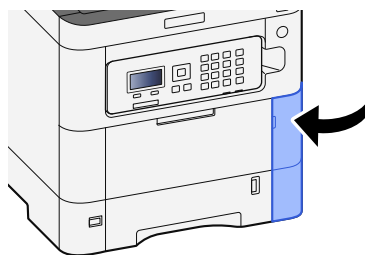
**4 Remove the new Waste Toner Box.**



**5 Install the Waste Toner Box.**



**6 Close the Waste Toner Cover**



---

 **NOTE**

Return the exhausted waste toner box to your dealer or service representative. The collected waste toner box will be recycled or disposed in accordance with the relevant regulations.

---

**Printzone.**  
1300 782 636