

Replacing the Toner Container

When toner is empty, the following message will be displayed. Replace the toner container.

"Toner is empty."

When toner runs low, the following message will be displayed. Make sure you have a new toner container available for replacement.

"Toner %s is low. (Replace when empty.)"

Toner color	Toner container model number
Black	

Toner color	Toner container model number
Black	TK-1274

The number of sheets that can be printed with one toner container depends on the print data (how much toner is used). Compliant with JIS X 6932 (ISO/IEC 19798), when the EcoPrint mode is turned [Off], the average number of printable sheets of the toner container is as follows: (When printing with A4.)

Toner color	Toner container yield (number of prints)
Black	10,000-sheets



NOTE

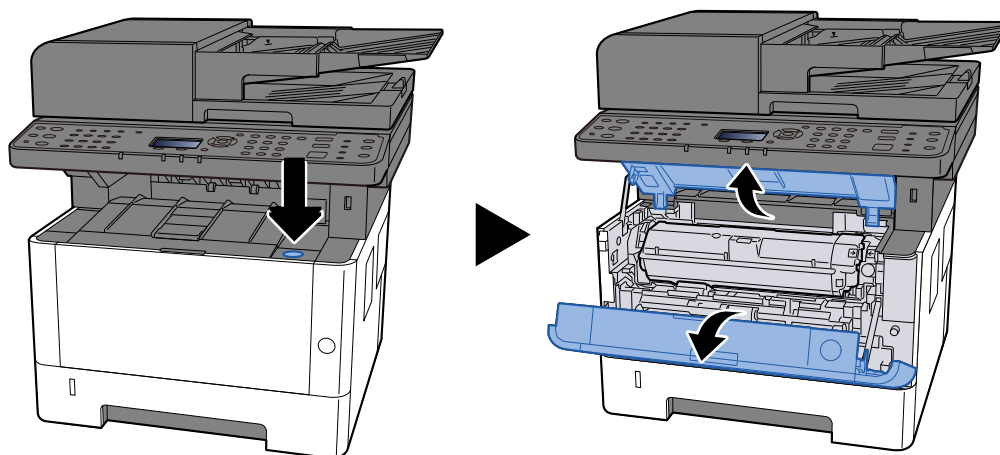
- The average number of printable sheets of the toner container that comes with this machine is 3,600 sheets.
- For the toner container, always use a genuine toner container. Using a toner container that is not genuine may cause image defects and product failure.
- The memory chip in the toner container of this product stores information necessary for improving customer convenience, operation of the recycling system for used toner containers, and planning and development of new products. The stored information does not include information that makes it possible to identify individuals, and is only used anonymously for the above purposes.



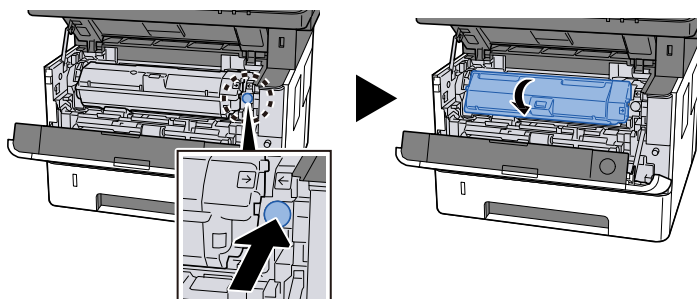
CAUTION

Do not attempt to incinerate parts which contain toner. Dangerous sparks may cause burns.

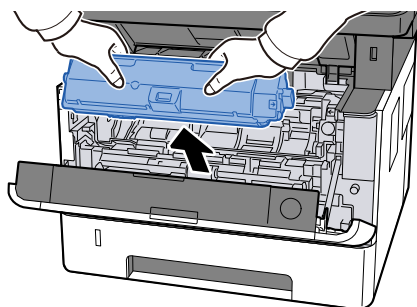
1 Open the top cover.



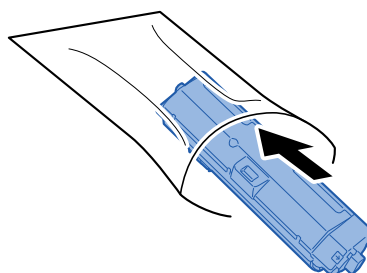
2 unlock



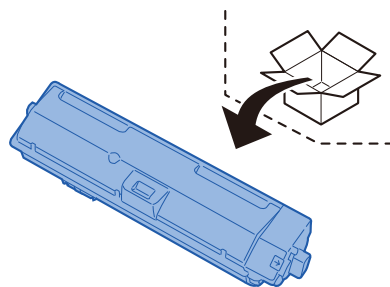
3 Remove the toner container.



4 Put used toner container into the plastic waste bag.

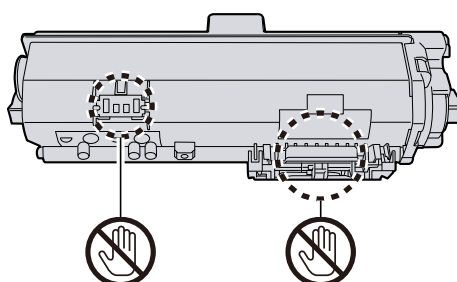


5 Remove the new toner container from the box.

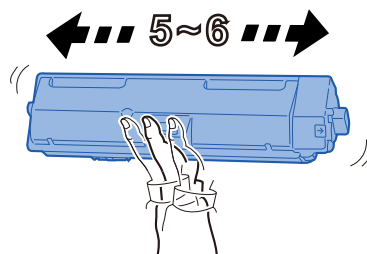


✓ IMPORTANT

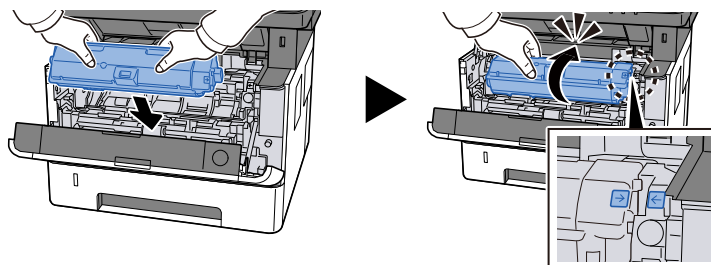
Do not touch the points shown below.



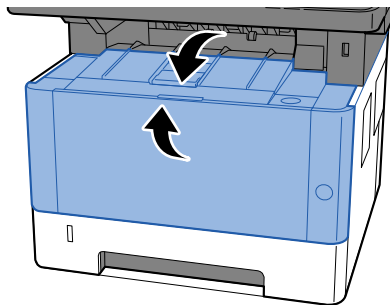
6 Shake the toner container.



7 Install the toner container.



8 Close the top cover.



✔ IMPORTANT

- If the front cover does not close, check that the new toner container is installed correctly.
 - Return the exhausted toner container to your dealer or service representative. The collected toner container will be recycled or disposed in accordance with the relevant regulations.
-

Printzone.
1300 782 636